

2011 PRODUCTS GUIDE

Quality / Professional / Creative



Wang Sheng Vietnam Industrial Co., Ltd

No.18 Rd., DT743, Lot 0, Song Than Industrail
Zone 2, Tan Dong Hiep Commune, Di An District,
Binh Doung Province, Vietnam
TEL : 06503.730389 ~ 06503.730390
FAX : 06503.730391
Email : wangsheng@hcm.vnn.vn

Taiwan Office

TEL : +886-4-8811641
FAX : +886-4-8817125

Yu Hub Industrial Co., Ltd

No. 17-17,Lun Tzy Jalo Rd., Ding Juang, Shi Hwu
Chang Hua,51448, Taiwan
TEL : +886-4-8811738
FAX : +886-4-8812386
Email : alice@wheelmate.com.tw

www.yuhub.com.tw



www.yuhub.com.tw



Wang Sheng Vietnam Industrial Co., Ltd
Yu Hub Industrial Co., Ltd

CONTENTS

BMX (Highend)	01
MTB (Highend)	03
BMX (Economic)	05
MTB (Economic)	07
Road & City	09
Spoke & Rims	13
Steel Hubs & Unicycle	15
Special Hubs & Parts	17
New Products	19



F-S31R

Spoke hole : 32/36H
Axle Dim : 3/8(M14)*110mm
Axle Material : Crmo
Flange PCD : 47mm
Sealed Bearing : 4pcs
Weight : 298g
For BMX
Bolt Type

F-S31F

Spoke hole : 32/36H
Axle Dim : 3/8*100mm
Axle Material : AL7075
Flange PCD : 38mm
Sealed Bearing : 2pcs
Weight : 124g
For BMX
Bolt Type



F-S01R(K)

Spoke hole : 36/48H
Axle Dim : M14*110*175mm
Axle Material : Crmo
Flange PCD : L : 58mm R : 45mm
Sealed Bearing : 5pcs
Weight : 531g
For BMX



F-S02F

Spoke hole : 32/36H
Axle Dim : 3/8*100mm
Axle Material : Crmo
Flange PCD : 38mm
Sealed Bearing : 2pcs
Weight : 257g
For BMX



YH-253FB

Spoke hole : 36H
Axle Dim : 3/8*100mm*145/160L
Axle Material : Crmo
Flange PCD : 38 mm
Sealed Bearing : 2 pcs
Weight : 110g
Option : YH-253FBA
Alloy End Cap



DC-R07

Spoke hole : 36/48H
Axle Dim : M14*135*185mm
Axle Material : Crmo
Flange PCD : 58mm
Sealed Bearing : 11T driver for 5pcs, 12T driver for 4pcs
Weight : 604g
For Dirt Chain Line 47mm



DC-R09

Spoke hole : 36/48H
Axle Dim : M14*135*185mm
Axle Material : Crmo
Flange PCD : 58mm
Sealed Bearing : 4-5pcs
Weight : 569g
For Dirt Chain Line 54mm



YH-259F

Spoke hole : 36/48H
Axle Dim : M14*100*165mm
Axle Material : Crmo
Flange PCD : 45mm
Sealed Bearing
Weight : 452g
For BMX



YH-260RB

Spoke hole : 36/48H
Axle Dim : M14*110*180L
Axle Material : Crmo
Flange PCD : 45mm
Sealed Bearing : 2pcs
Weight : 459g
For BMX



DC-R08W

Spoke hole : 28/32H
 Axle Dim : M10*135mm
 Flange PCD: R : 47mm/L : 58mm
 Axle Material : AL7075
 Sealed Bearing : 4pcs
 Weight : 277g
 For MTB

DC-F02W

Spoke hole : 28/32H
 Axle Dim : M9*100mm
 Axle Material : AL7075
 Flange PCD : L : 58mm R : 38mm
 Sealed Bearing : 2pcs
 Weight : 117g
 For MTB(QR system)/Trial(screw set)



DC-R08

Spoke hole : 28/32H
 Axle Dim : M10*135mm
 Axle Material : AL7075
 Flange PCD : R : 47mm/L : 58mm
 Sealed Bearing : 4pcs
 Weight : 281g
 For MTB

DC-F02

Spoke hole : 28/32H
 Axle Dim : M9*100mm
 Axle Material : AL7075
 Flange PCD : L : 58mm R : 38mm
 Sealed Bearing : 2pcs
 Weight : 117g
 For MTB(QR system)/Trial(screw set)



DC-R01

Spoke hole : 28/32/36H
 Axle Dim : M10*135mm
 Axle Material : AL7075
 Flange PCD: 58mm
 Sealed Bearing : 2pcs
 Weight : 445g
 For MTB
 Options : DC-R01D
 for disc lighter design

DC-F01

Spoke hole : 28/32/36H
 Axle Dim : M9*100mm
 Axle Material : AL7075
 PCD : 58mm
 Sealed Bearing : 2pcs
 Weight : 241g
 For MTB
 Options : DC-F01D
 for disc lighter design



MT-R01

Spoke hole : 28/32H
 Axle Dim : M10*135*145mm
 Axle Material : AL7075
 Flange PCD: 47mm
 Sealed Bearing : 4pcs
 Weight : 257g
 For MTB
 Options : RC-R34 fro Road
 Cassette option
 Campy&shimano



RC-R31

Spoke hole : 24/28H
 Axle Dim : M10*130/135mm
 Axle Material : AL7075
 Flange PCD: 45mm
 Sealed Bearing : 2pcs
 Weight : 340g
 For Road/MTB

RC-F31

Spoke hole : 24/28H
 Axle Dim : M9*100*108mm
 Axle Material : AL7075
 PCD : 38mm
 Sealed Bearing : 2pcs
 Weight : 102g
 For Road/MTB



DC-R03

Spoke hole : 28/32H
 Axle Dim : M10*135mm
 Axle Material : AL7075
 Sealed Bearing : 2pcs
 Weight : 422g
 For MTB

DC-F03

Spoke hole : 28/32H
 Axle Dim : M9*100mm
 Axle Material : AL7075
 Sealed Bearing : 2pcs
 Weight : 237g
 For MTB



DC-R04

Spoke hole : 28/32H
 Axle Dim : M10*135mm
 Axle Material : AL7075
 Sealed Bearing : 5pcs
 Weight : 360g
 For Downhill

DC-F04

Spoke hole : 28/32H
 Axle Dim : M9*100mm
 Axle Material : AL7075
 Sealed Bearing : 2pcs
 Weight : 232g
 For Downhill



XDC-R01

Spoke hole : 24H
 Axle Dim : M10*135mm
 Axle Material : AL7075
 Sealed Bearing : 2pcs
 Weight : 373g
 For MTB

XDC-F01

Spoke hole : 24H
 Axle Dim : M9*100mm
 Axle Material : AL7075
 Sealed Bearing : 2pcs
 Weight : 162g
 For MTB



DC-F08

Spoke hole : 32/36H
 Axle Dim : M20*110mm
 Flange PCD: 58mm
 Sealed Bearing : 2pcs
 Weight : 184g
 For Downhill



YH-267F

Spoke hole : 28/32H
 Axle Dim : M20*110mm
 Axle Material : AL7075
 Flange PCD: 58mm
 Sealed Bearing : 2pcs
 Weight : 220g
 For Downhill



RC-R33

Spoke hole : 24/28H
 Axle Dim : M10*130mm/135mm
 Axle Material : S45C
 Flange PCD: 45mm
 Burnished Ball Bearing
 Weight : 343g
 For Road/MTB

RC-F33

Spoke hole : 24/28H
 Axle Dim : M9*100mm
 Axle Material : S45C
 Flange PCD : 38mm
 Burnished Ball Bearing
 Weight : 148g
 For Road/MTB



DC-F05

Spoke hole : 28/32/36H
 Axle Dim : M20*110mm
 Flange PCD: 58mm
 Sealed Bearing : 2pcs
 Weight : 250g
 For Downhill



YH-216R

Spoke hole : 36/48H
Axle Dim : 3/8*110/112mm
Ball Bearing
For BMX
Option : M14 axle

YH-215F

Spoke hole : 36/48H
Axle Dim : 3/8*100mm
Ball Bearing
For BMX
Option : M14 axle



YH-230R

Spoke hole : 36/48H
Axle Dim : 3/8*110/112mm
Ball Bearing
For BMX
Option : M14 axle

YH-229F

Spoke hole : 36/48H
Axle Dim : 3/8*100mm
Ball Bearing
For BMX
Option : M14 axle



YH-236R

Spoke hole : 24/28/36/48/72H
Axle Dim : 3/8*110/112mm
1S
BALL BEARING
P.C.D : 45MM

YH-235F

Spoke hole : 24/28/36/48H/72H
Axle Dim : 3/8*100mm
1S
BALL BEARING
P.C.D : 45MM





YH-218Q

Spoke hole : 28/32/36H
 Axle Dim : M10*130/135mm
 Ball Bearing
 For Road/MTB
 SHIMANO CASSETTE
 8/9 Speed

YH-220R

Spoke hole : 28/32/36H
 Axle Dim : 3/8*126/135mm
 6-8 Speed & 1 Speed
 Ball Bearing
 For MTB

YH-219F

Spoke hole : 28/32/36H
 Axle Dim : 3/8*100mm
 Ball Bearing
 For MTB



YH-200Q

Spoke hole : 24/28/32/36H
 Axle Dim : M10*135mm
 Ball Bearing
 For MTB
 SHIMANO CASSETTE

YH-205Q

Spoke hole : 24/28/32/36H
 Axle Dim : M9*100mm
 Ball Bearing
 For MTB

YH-206Q

Spoke hole : 24/28/32/36H
 Axle Dim : M10*135mm
 Ball Bearing
 For MTB



YH-252R

Spoke hole : 28/32/36H
 Axle Dim : 3/8*126/135mm
 6-8 Speed & 1 Speed
 Ball Bearing
 For MTB

YH-251F

Spoke hole : 28/32/36H
 Axle Dim : 3/8*100mm
 Ball Bearing
 For MTB



YH-204Q

Spoke hole : 28/32/36H
 Axle Dim : M10*130/135mm
 Ball Bearing
 For MTB

YH-203Q

Spoke hole : 28/32/36H
 Axle Dim : M9*100mm
 Ball Bearing
 For MTB

Option : Solid Axle available for YH-203F and YH-204R



YH-256R

Spoke hole : 28/32/36H
 Axle Dim : 3/8*126/135mm
 6-8 speed
 Ball Bearing
 For MTB

YH-255F

Spoke hole : 28/32/36H
 Axle Dim : 3/8*100mm
 Ball Bearing
 For MTB



YH-254R

Spoke hole : 28/32/36H
 Axle Dim : 3/8*126/130/135mm
 5-8 speed
 Ball Bearing
 For MTB

YH-253F

Spoke hole : 28/32/36H
 Axle Dim : 3/8*100mm
 Ball Bearing
 For MTB



RC-R35

Spoke hole : 24/28H
 Axle Dim : M10*130mm
 Axle Material : AL7075
 Flange PCD : L : 47mm R : 38mm
 Sealed Bearing : 4pcs
 Weigh : 230g
 For Road
 Option : RC-R35M for MTB
 Cassette option : Campy&shimano

RC-F35

Spoke hole : 20/24H
 Axle Dim : M9*100mm
 Axle Material : AL7075
 Flange PCD : 32mm
 Sealed Bearing : 2pcs
 Weigh : 77.5g
 For Road



XRC-R05

Spoke hole : 24/28H
 Axle Dim : M10*130mm
 Axle Material : AL7075
 Sealed Bearing : 4pcs
 Weigh : 219g
 Cassette option : Campy&shimano
 For Road

XRC-F05

Spoke hole : 20/24H
 Axle Dim : M9*100mm
 Axle Material : AL7075
 Sealed Bearing : 2pcs
 Weigh : 86g
 For Road



XRC-R03

Spoke hole : 24/28H
 Axle Dim : M10*130mm
 Axle Material : AL7075
 Sealed Bearing : 4pcs
 Weigh : 231g
 For Road
 Cassette option : Campy&shimano
 For Road

XRC-F03

Spoke hole : 20/24H
 Axle Dim : M9*100mm
 Axle Material : AL7075
 Sealed Bearing : 2pcs
 Weigh : 81g
 For Road



D-S05F

Spoke hole : 24/28/36H
 Axle Dim : M14*100mm
 Axle Material : Crmo
 Flange PCD : 58mm
 Sealed Bearing : 2pcs
 Option : LH&RH



RC-F28

Spoke hole : 20/24H
 Axle Dim : M9*74mm
 Axle Material : AL7075
 Flange PCD : 38mm
 Sealed Bearing : 2pcs
 Weigh : 86g
 Option : O.LD 86/100mm
 Alloy Cap



YH-240F

Spoke hole : 20/28/36H
 Axle Dim : 3/8*75mm
 Axle Material : AL7075
 Ball Bearing
 For MTB/Folding Bike



RC-F01AB

Spoke hole : 28/32H
 Axle Dim : M9*100*108mm
 Axle Material : AL7075
 Flange PCD : 58mm
 Sealed Bearing : 2pcs
 Weight : 138g
 For Track/fixed gear



RC-R03AB

Spoke hole : 28/32H
 Axle Dim : M10*120*130mm
 Axle Material : AL7075
 Flange PCD : 58mm
 Sealed Bearing : 2pcs
 Weight : 148g
 For Track/fixed gear
 Option : RC-R04AB for M10*130*140mm

1.29"x24T-LH
 1.37"x24T-RH



RC-R06

Spoke hole : 28/32H
 Axle Dim : M10*126mm
 Axle Material : Crmo
 Flange PCD : 58mm
 Sealed Bearing : 2pcs
 Weight : 230g for 6 Speed
 For Touring
 RC-R07 for 7 Speed

RC-F06

Spoke hole : 28/32H
 Axle Dim : M9*100mm
 Axle Material : Crmo
 Flange PCD : 58mm
 Sealed Bearing : 2pcs
 Weight : 187g
 For Touring



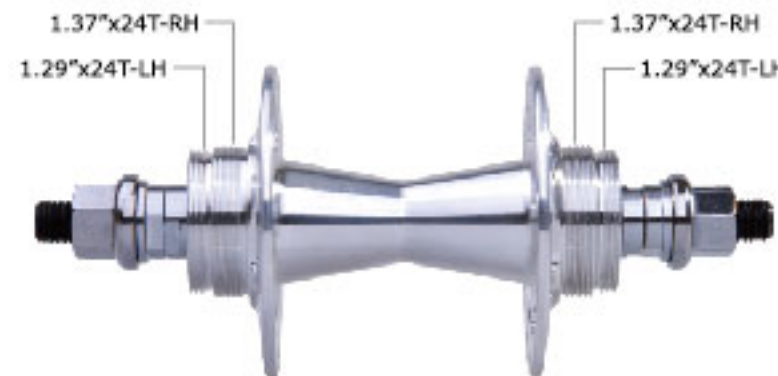
1.29"x24T-LH
 1.37"x24T-RH

RC-R01

Spoke Hole : 28/32H
 Axle Dim : M10*120*166mm
 Axle Material : Crmo
 Flange PCD : 58mm
 Sealed Bearing : 2pcs
 Weight : 271g
 For Track / Fixed Gear

RC-F01

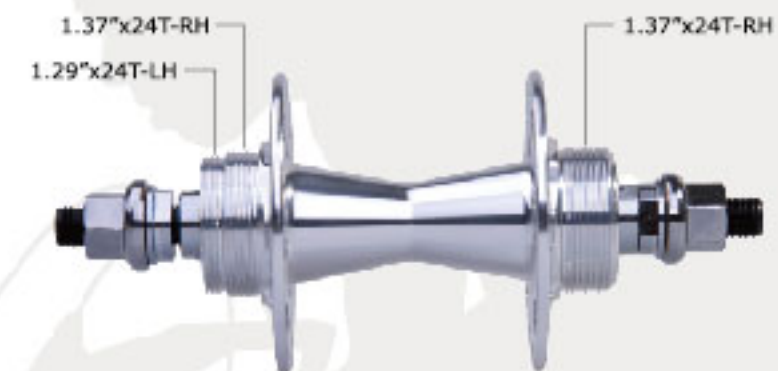
Spoke Hole : 28/32H
 Axle Dim : M9*100*140mm
 Axle Material : Crmo
 Flange PCD : 58mm
 Sealed Bearing : 2pcs
 Weight : 238g
 For Track / Fixed Gear



1.37"x24T-RH
 1.29"x24T-LH
 1.37"x24T-RH
 1.29"x24T-LH

RC-R02

Spoke Hole : 28/32H
 Axle Dim : M10*120*166mm
 Axle Material : Crmo
 Flange PCD : 58mm
 Sealed Bearing : 2pcs
 Weight : 271g
 For Track / Fixed Gear

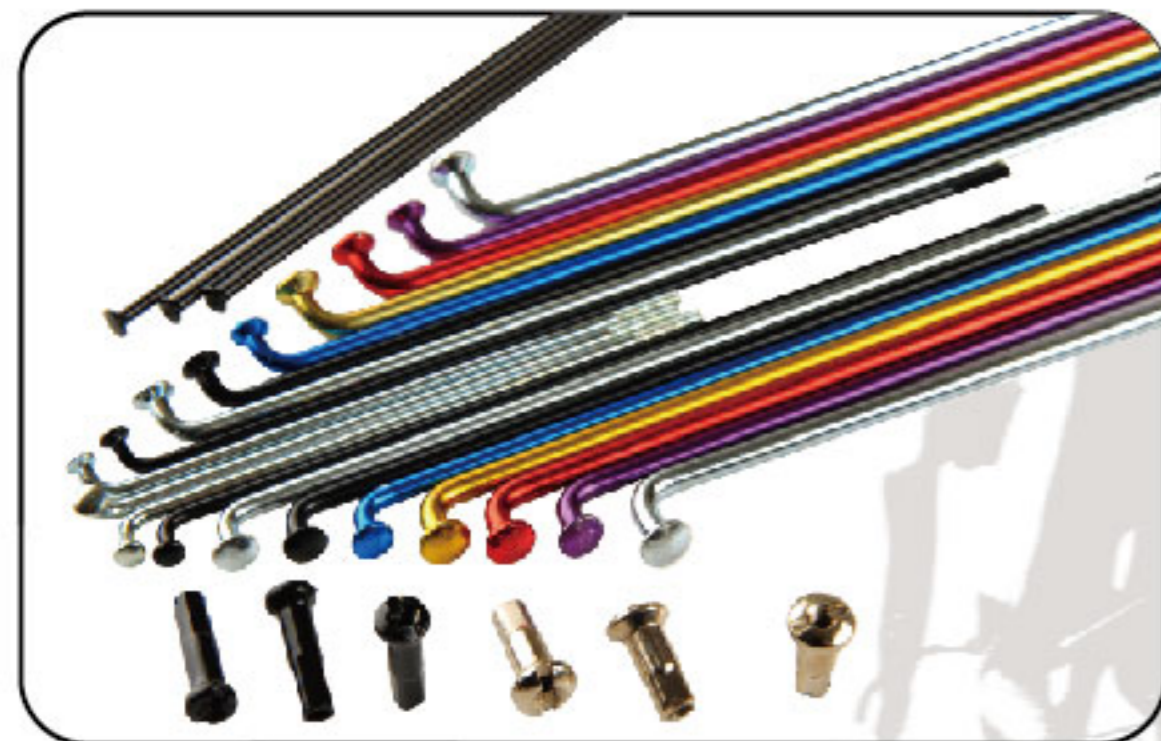


1.37"x24T-RH
 1.29"x24T-LH
 1.37"x24T-RH

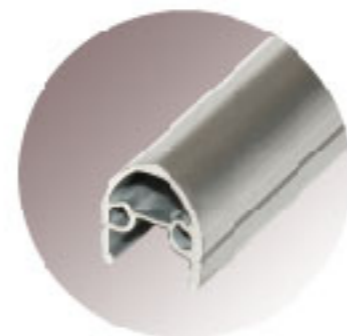
RC-R03

Spoke Hole : 28/32H
 Axle Dim : M10*120*166mm
 Axle Material : Crmo
 Flange PCD : 58mm
 Sealed Bearing : 2pcs
 Weight : 271g
 For Track / Fixed Gear

Spoke&Rims



Steel CP/UCP/ED spoke
 Stainless ED spoke
 Brass nipple
 Steel nipple
 Straight pull steel/stainless spoke



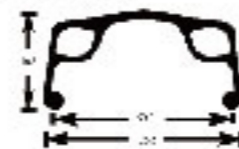
A-140

Size : 20", 24"26" ,700C(1.5-1.95Available)
 Holes : 24H, 32H, 36H
 Gauge : 14G
 Finish : Anodized or Power with CNC
 Joint : Pinned



WS-6N(Alloy)

Size : 12", 16"26" ,700C(1.5-1.95Available)
 Holes : 16H, 20H, 28H, 36H, 48H
 Gauge : 12G , 13G, 14G
 Finish : Anodized or Power coating
 Joint : Pinned



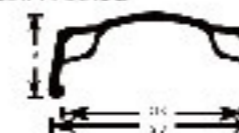
WS-6A(Alloy)

Size : 16", 20", 24", 26" x13/8
 Holes : 20H, 28H, 32H, 36H
 Gauge : 14G
 Finish : Anodized or Power coating
 Joint : Pinned



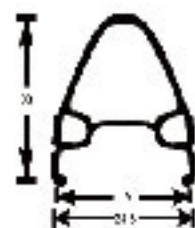
WS-7X(Alloy)

Size : 20", 24", 26" (1.75 - 2.125 available)
 Holes : 28H, 36H, 48H
 Gauge : 12G, 13G, 14G
 Finish : Anodized or Power coating
 Joint : Pinned



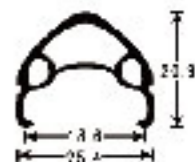
WS-6N(Alloy)

Size : 20", 24"26" , 700C(1.5-1.95Available)
 Holes : 24H, 32H, 36H
 Gauge : 14G
 Finish : Anodized or Power coating
 Joint : Pinned



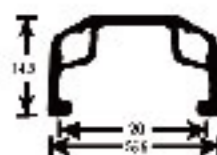
A120

Size : 20", 24"26" , 700C(1.5-1.95Available)
 Holes : 24H, 32H, 36H
 Gauge : 14G
 Finish : Anodized or Power coating
 Joint : Pinned



WS-10

Size : 12"16"20"24"26"(1.5-1.95Available)
 Holes : 16H, 20H, 28H, 36H
 Gauge : 14G
 Finish : Anodized or Power coating
 Joint : Pinned





WS-336R

3/8*126/130/135
28/36H
6S-7S & 1 Speed
BALL BEARING

WS-335F

3/8*100
20/28/36H
BALL BEARING



WS-316R

3/8*126/130/135
36H
6S-7S
BALL BEARING
STEEL COLD FORGED
1 Speed for WS-318R

WS-315F

3/8*100
28H/36H
BALL BEARING
STEEL COLD FORGED



WS-322R

3/8*126/130/135
28/36H
5S-7S
BALL BEARING
QR Type for WS-320Q

WS-321F

3/8*100
28/36H
BALL BEARING
QR Type for WS-319Q



WS-307F

3/8*100
28/36H
BALL BEARING



WS-310R

3/8*110/112
36/48H
1S
BALL BEARING
FRO BMX

WS-309F

3/8*100
36H/48H
BALL BEARING
FOR BMX



WS-312R

3/8*110/112
1S
36/48H
BALL BEARING

WS-311F

3/8*100
36/48H
BALL BEARING



WS-327-1F

5/16,3/8*83/93
16/20/28H
BALL BEARING

WS-327F

3/8*90/100
16H/20/28/36H
BALL BEARING

Special Hubs & parts



WS-280

For wheelchair release
Holes : 28H, 36H x 14G



WS-332

For wheelchair steel
Holes : 20H, 28H, 36H x 14G



WS-400(Series)

Cart hub, C-P Finish
Axle : 5/8" x 178mm x 36H x 12G



WS-400A

Cart hub, Axle : 5/8" x 178mm

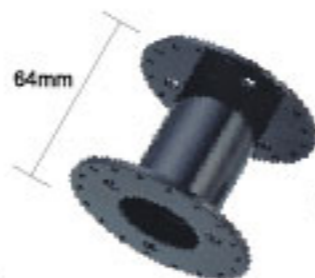


WS-400B

Cart hub,
Cup : a:41mm, b:17mm, c:59mm

WS-400C

Cart hub, Cone : 5/8"



WS-344A

14/12G*36H
CP / ED
PCD : 71mm
For tricycle
Material : steel

WS-344B



WS-286

For Wheelchair, with quick-release in axle
Holes : 20H, 28H, 36H x 14G
Cold-forged alloy with sealed bearing



WS-90

Outer squeezing for rear wheel cable control system
Brake drum diam : 90mm
For cycles 24", 26"
ED, C-P or Coating finish



10CR

Alloy 6061 rear skewer quick release

10CF

Alloy 6061 front skewer quick release



WS-282

20/28/36/48H
Part:
6203-2RS Bearing
M10*P1.25*10mm nut
Axle Length 178L

WS-282-1(Inside thread)

20/28/36/48H
Part:
6203-2RS Bearing
M8*P1.0*18mm screw
Axle Length 157L



WS-282-3(Inside Thread)

36/48H
Crimo ISIS Axle 158mm
Part :
60/22-2RS Bearing
M12*P1.0*20mm screw



WS-282-4(Inside thread)

36H/48H
Crimo ISIS Axle 158mm
Part :
60/22-2RS Bearing
M12*P1.0*20mm screw



WS-105

Rear hub axle, for MTB

WS-106

Rear hub axle, for BMX

WS-107

Front Axle set
3/8" x 130, 135, 140mm



WS-108

Front Axle set
5/16" x 130, 135, 140mm

WS-109

Rear Axle for quick release
M10 x 136, 140, 145mm

WS-110

Front Axle for quick release
M9 x 108mm



10BR

Alloy 6061 rear skewer quick release

10BF

Alloy 6061 front skewer quick release



11AR

Titanium rear skewer QR

11AF

Titanium front skewer QR

Trial Freewheels

BFW-F9-16T

9pawls-16tooth,ED finished
108 clicks



BFW-F9-17T

9pawls-17tooth,ED finished
108 clicks

BFW-F9-18T

9pawls-18tooth,ED finished
108 clicks

BFW-F6-16T

6pawls-16tooth,ED finished
72 clicks

BFW-F6-17T

6pawls-17tooth,ED finished
72 clicks

BFW-F6-18T

6pawls-18tooth,ED finished
72 clicks



BFW-36.6

6pawls-16tooth,ED finished
36 clicks
6pawls-17tooth,ED finished
36 clicks
6pawls-18tooth,ED finished
36 clicks



BFW-4ARM

9pawls, ED finished
108 clicks

DH HUB



DC-F07

Spoke hole : 32/36H
Spec : M20*110, W/O axle
Flange PCD : 58mm
Sealed Bearing : 2
Weight : 198g

F-S29F

Spoke hole : 32/36H
Spec : M20*110, W/O axle
Flange PCD : 58mm
Sealed Bearing : 2 pcs
Weight : 193g

BMX FREECOASTER



F-C01RM

Spoke hole : 36/48H
Spec : M14*110*175L 9T
Sealed bearing : 4 pcs
Weight : 610g
3/8 Axle for F-C01R38

F-C01RF

Spoke hole : 36/48H
Spec : 3/8*110W,9T
Sealed bearing : 4 pcs
Weight : 520g
Bolt Type

FIXED GEAR



RC-F09

Spoke hole:28/32/36H
Spec :M9*100*140mm,
axle CRMO, loose ball,
nut-type
Flange PCD : 58mm
Ball Bearing
Weight : 272g

RC-R09

Spoke hole:28/32/36H
Spec :M10*120*165mm,
axle CRMO, loose ball,
nut-type
Flange PCD : 58mm
Ball Bearing
Weight : 342g

MTB HUB



DC-R07F

Spoke hole : 36H
Spec : 3/8*135W, Bolt type
Flange PCD : 58mm
Sealed Bearing : 4 pcs

BMX HUB



F-S05R

Spoke hole : 36/48H
Spec : M14*110*180mm,
axle CRMO, Loose ball
Flange PCD : L/58 & R/45mm
Ball Bearing
Weight : 598g

ROAD HUB



XRC-F74

Spoke hole : 20H
Spec : M9*74W
Sealed Bearing : 2 pcs
Weight : 58g



D-S15R

Spoke hole : 36H
Spec : 13G
Tricycle Hub
Weight : 360g